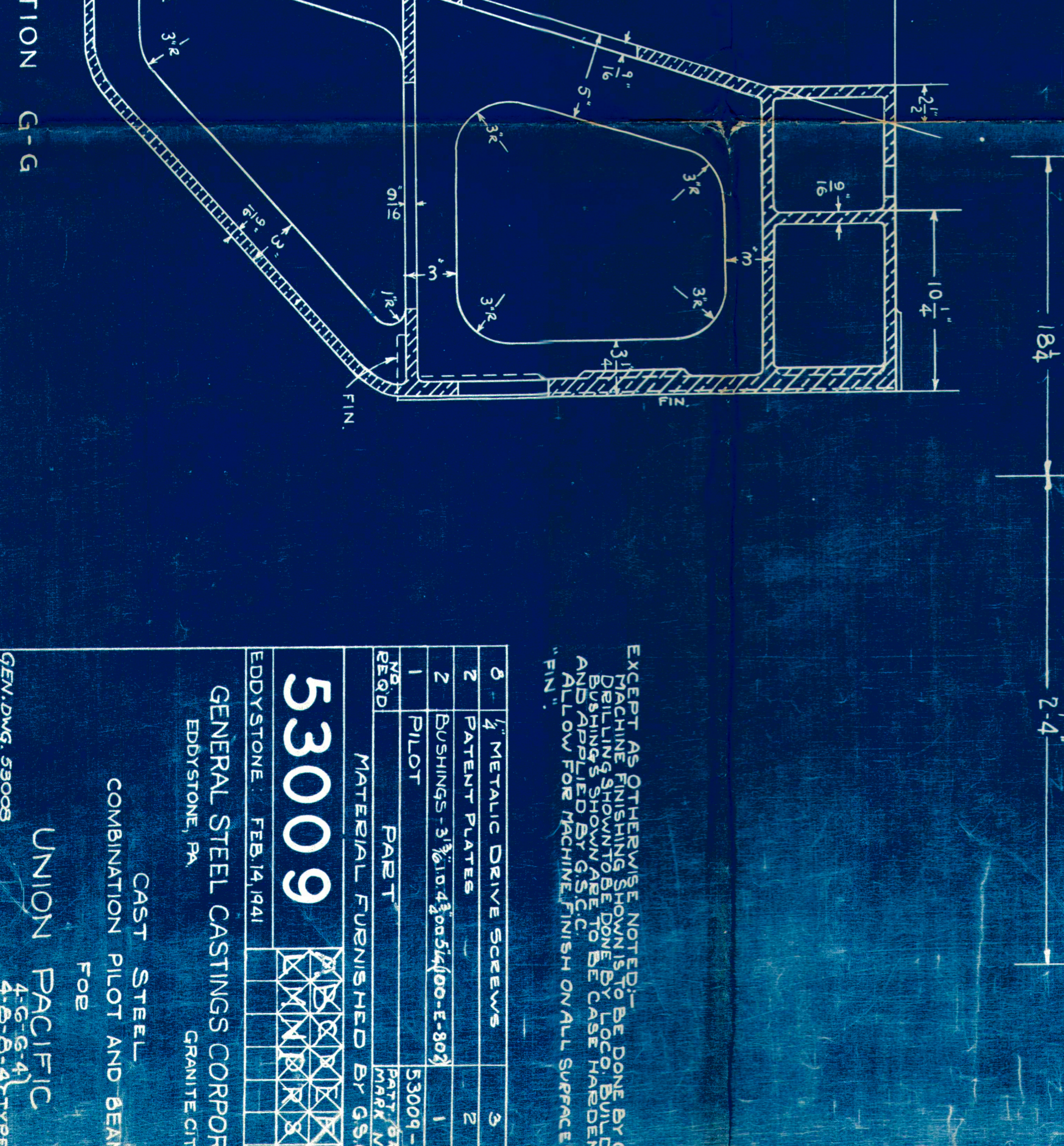
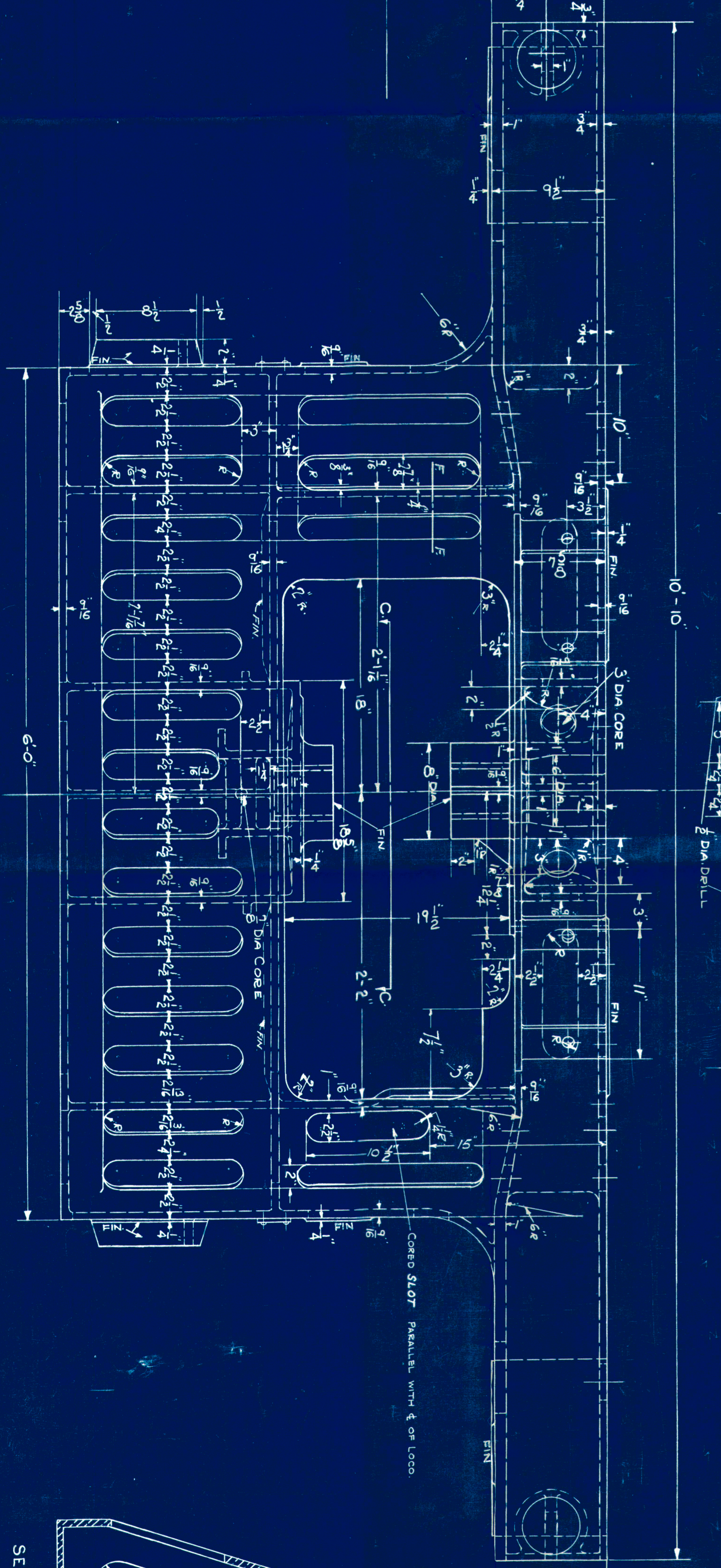
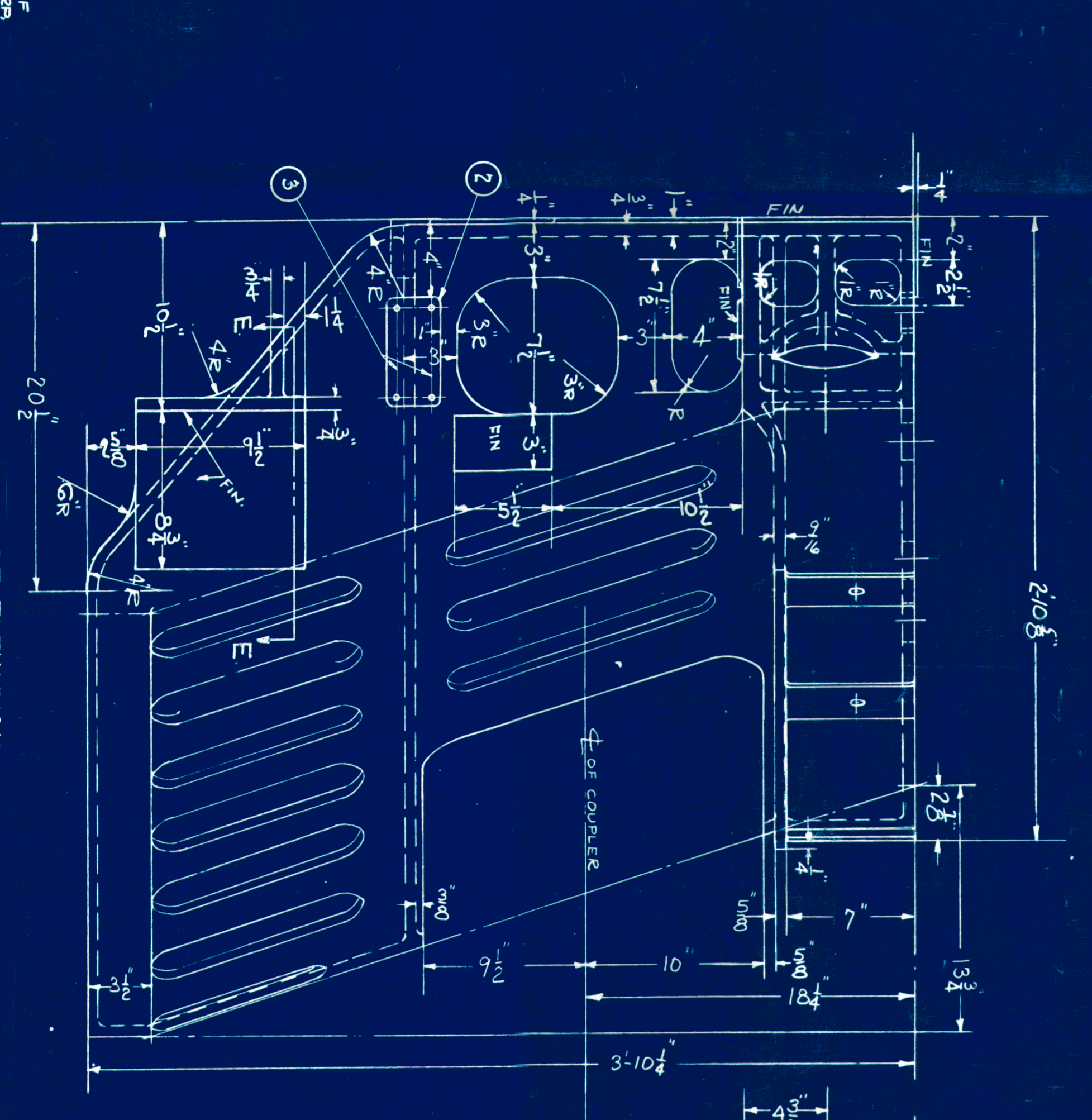
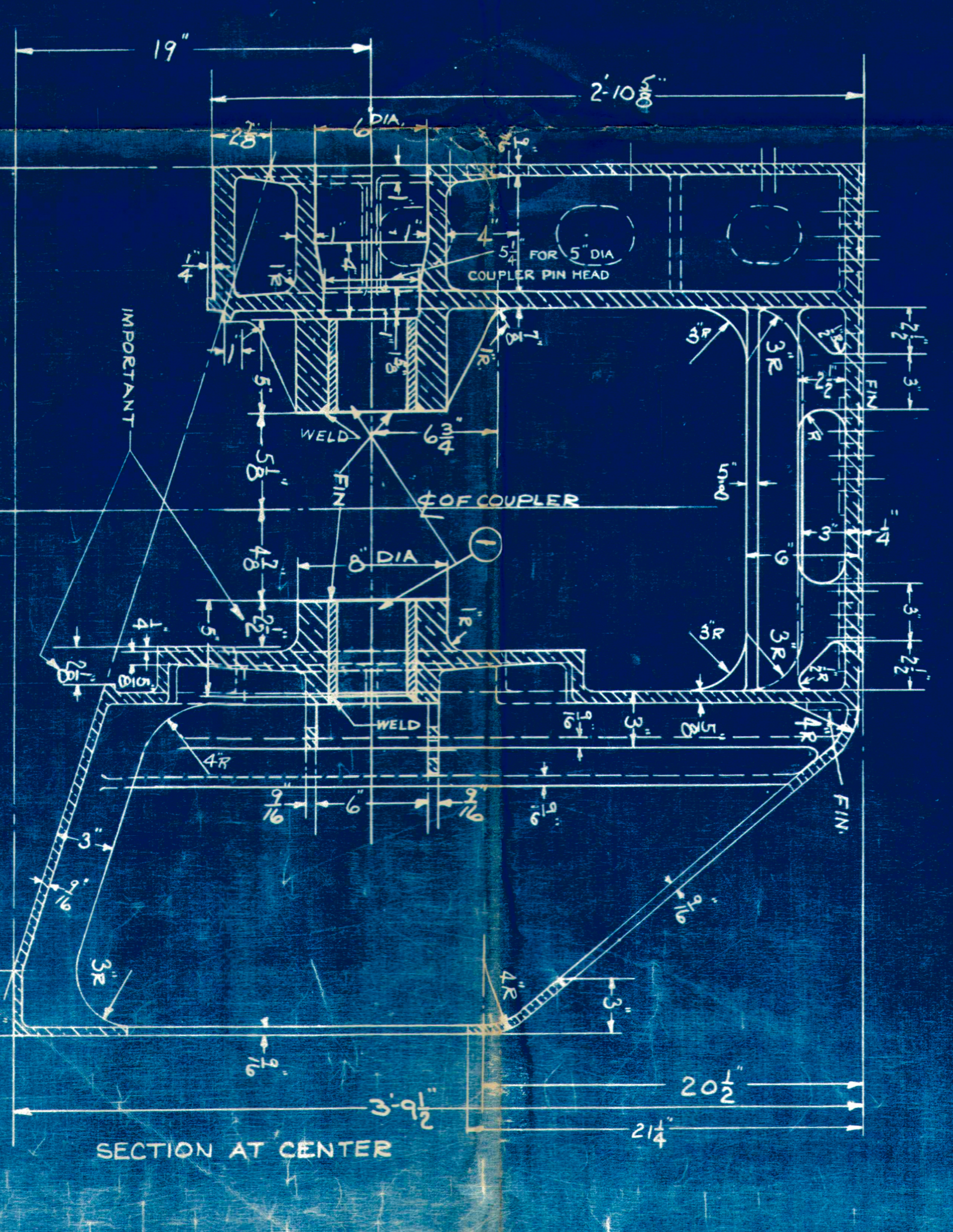
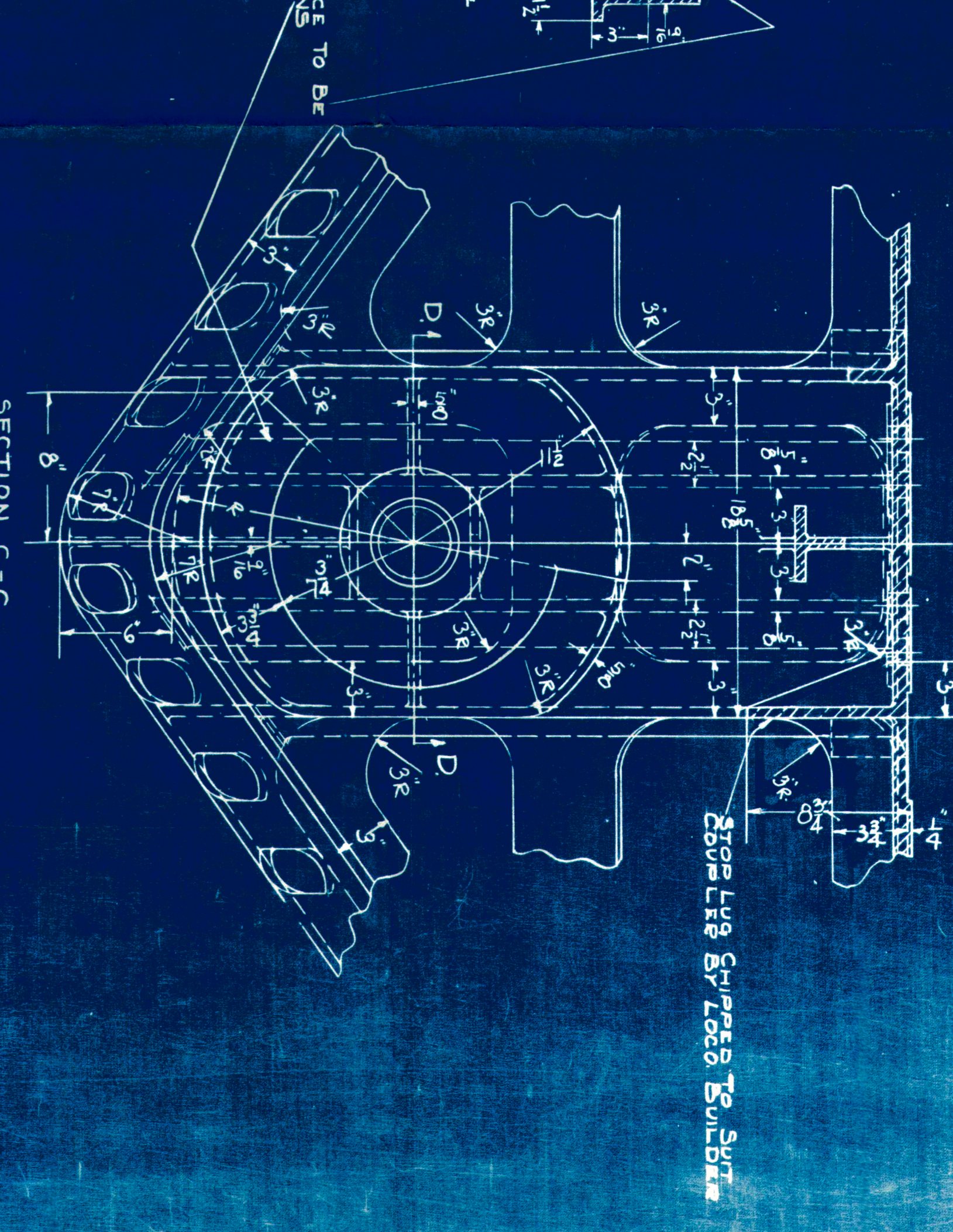
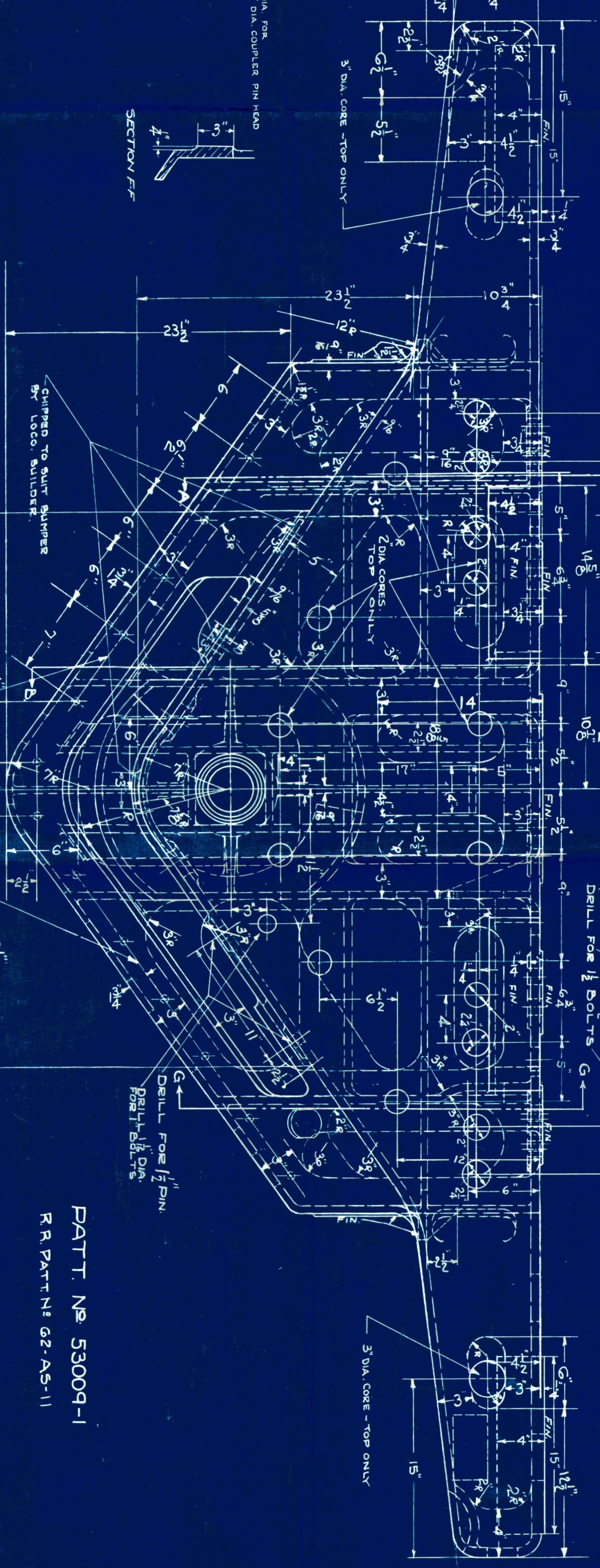
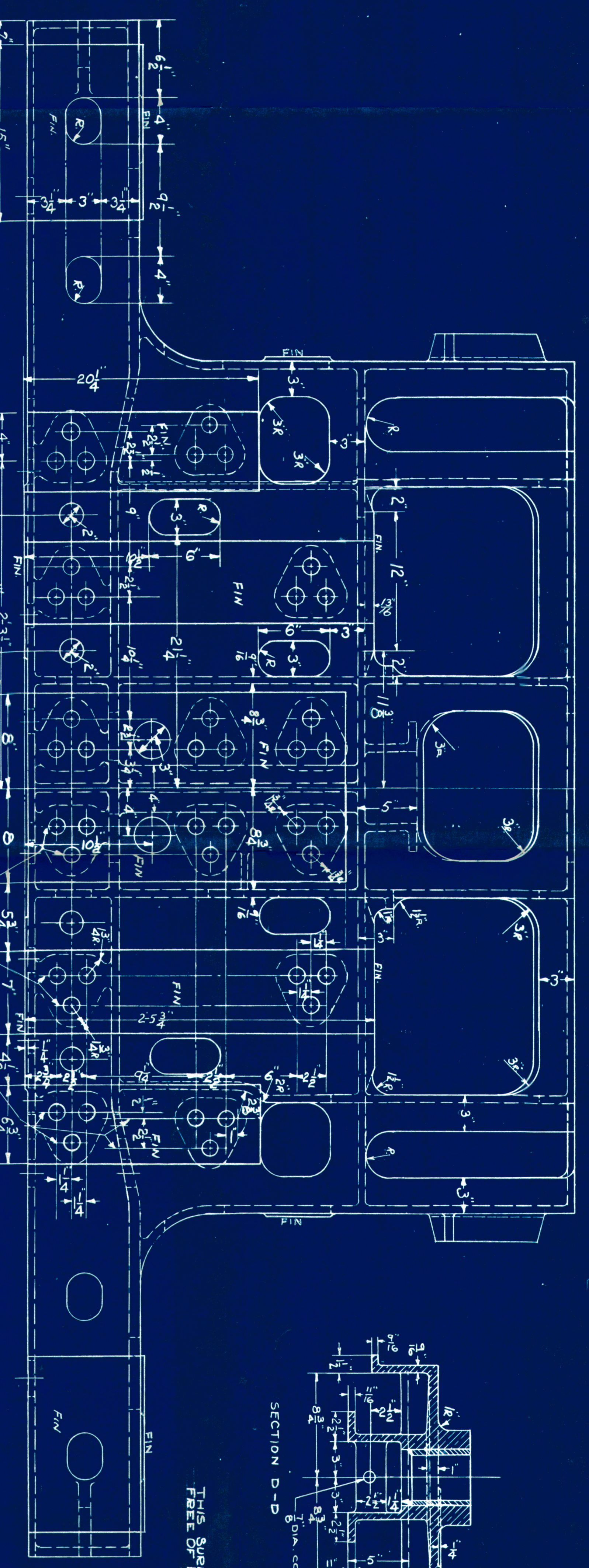
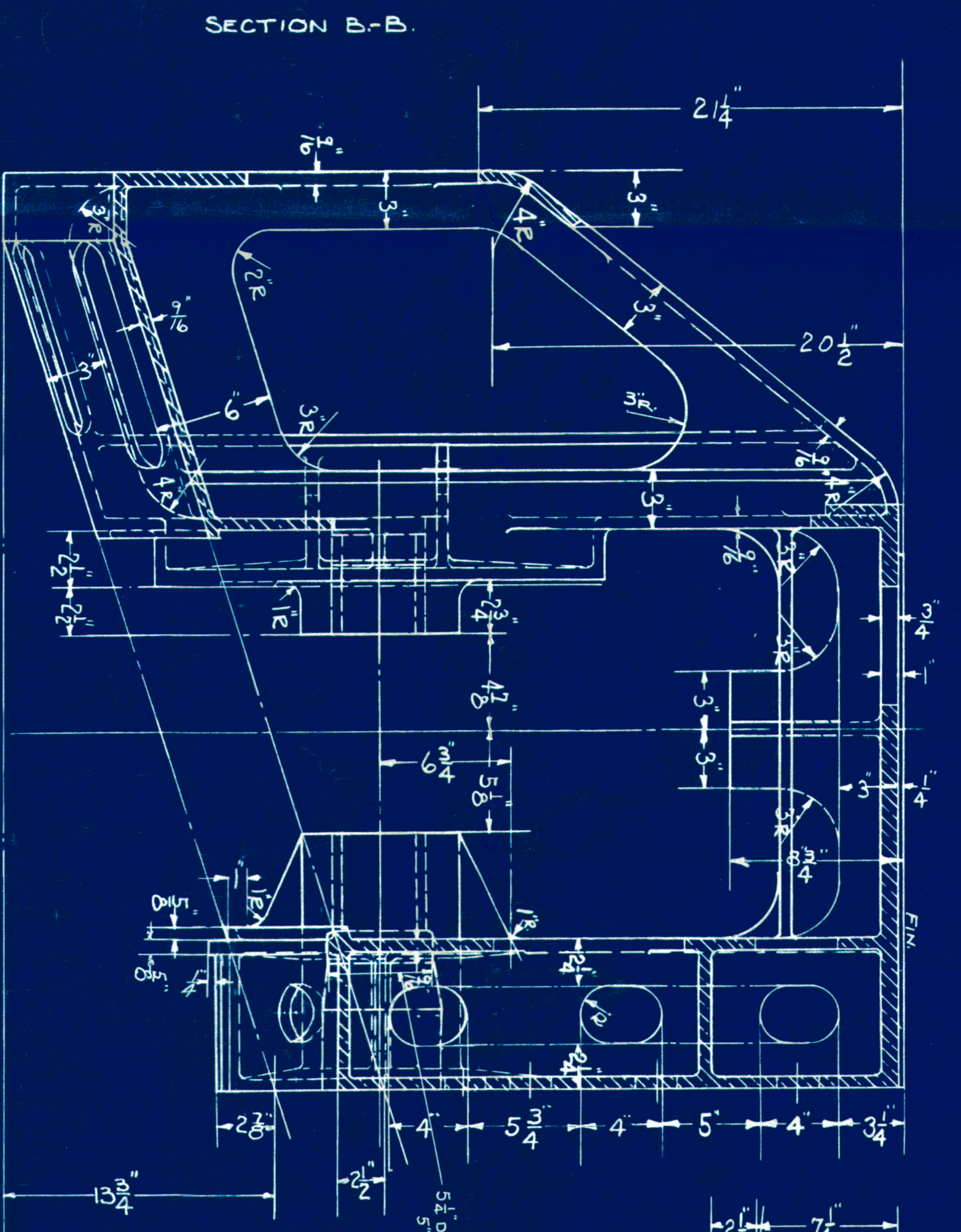
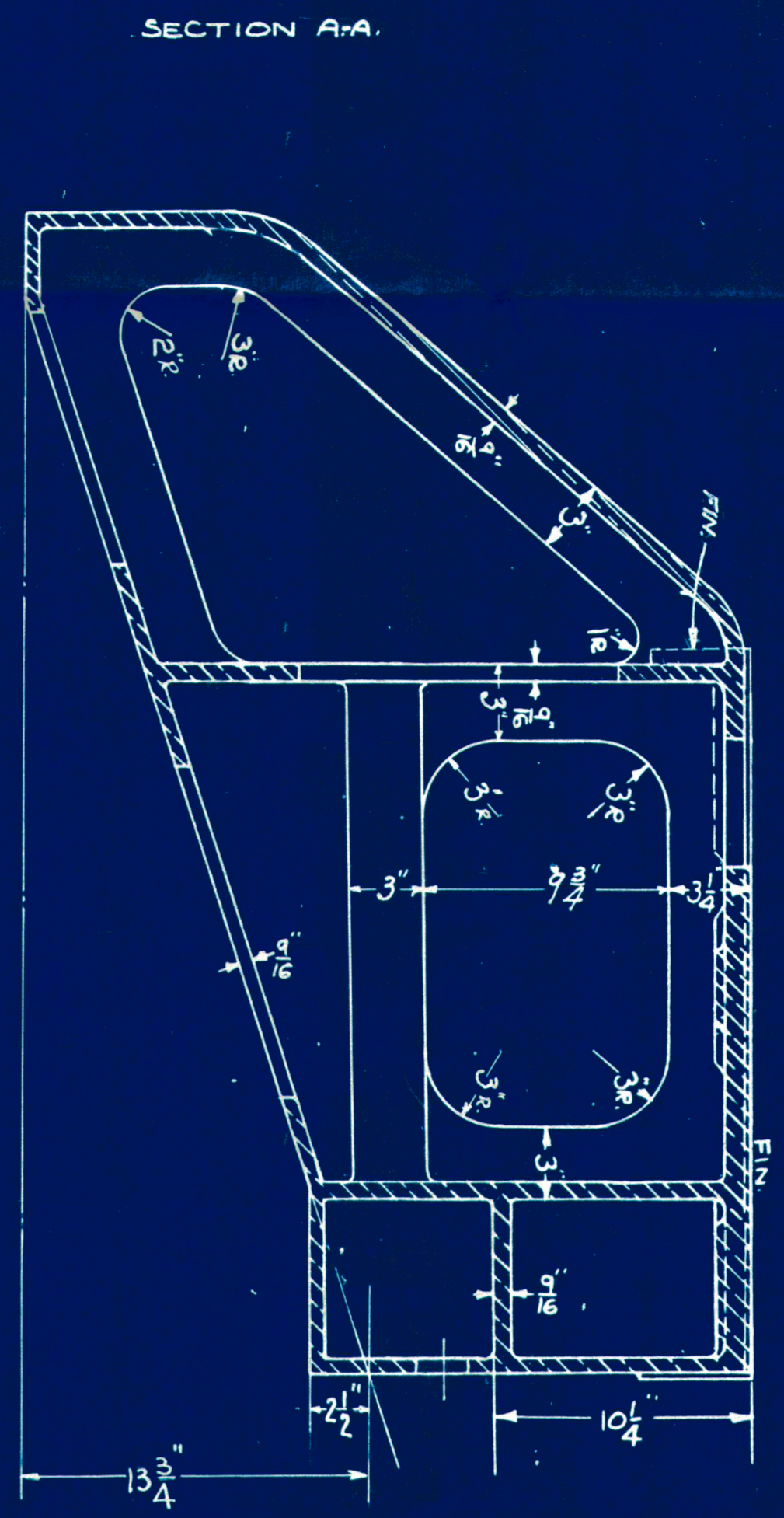
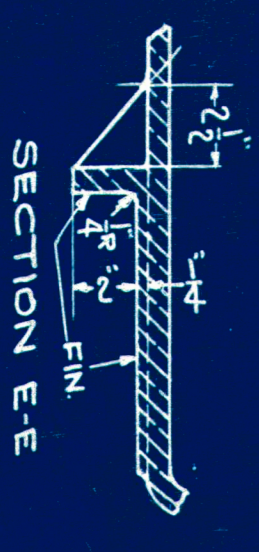


REVISION	DATE	DESCRIPTION
A	3-21-41	FINAL AND COMPLETE DRAWING FOR FABRICATION AND ASSEMBLY.
B	3-21-41	REVISIONS TO DRAWING MADE AS SHOWN.
C	3-21-41	REVISIONS TO DRAWING MADE AS SHOWN.
D	3-21-41	REVISIONS TO DRAWING MADE AS SHOWN.
E	3-21-41	REVISIONS TO DRAWING MADE AS SHOWN.
F	3-21-41	REVISIONS TO DRAWING MADE AS SHOWN.
G	3-21-41	REVISIONS TO DRAWING MADE AS SHOWN.
H	3-21-41	REVISIONS TO DRAWING MADE AS SHOWN.
I	3-21-41	REVISIONS TO DRAWING MADE AS SHOWN.
J	3-21-41	REVISIONS TO DRAWING MADE AS SHOWN.
K	3-21-41	REVISIONS TO DRAWING MADE AS SHOWN.
L	3-21-41	REVISIONS TO DRAWING MADE AS SHOWN.
M	3-21-41	REVISIONS TO DRAWING MADE AS SHOWN.
N	3-21-41	REVISIONS TO DRAWING MADE AS SHOWN.
O	3-21-41	REVISIONS TO DRAWING MADE AS SHOWN.
P	3-21-41	REVISIONS TO DRAWING MADE AS SHOWN.
Q	3-21-41	REVISIONS TO DRAWING MADE AS SHOWN.
R	3-21-41	REVISIONS TO DRAWING MADE AS SHOWN.
S	3-21-41	REVISIONS TO DRAWING MADE AS SHOWN.
T	3-21-41	REVISIONS TO DRAWING MADE AS SHOWN.
U	3-21-41	REVISIONS TO DRAWING MADE AS SHOWN.
V	3-21-41	REVISIONS TO DRAWING MADE AS SHOWN.
W	3-21-41	REVISIONS TO DRAWING MADE AS SHOWN.
X	3-21-41	REVISIONS TO DRAWING MADE AS SHOWN.
Y	3-21-41	REVISIONS TO DRAWING MADE AS SHOWN.
Z	3-21-41	REVISIONS TO DRAWING MADE AS SHOWN.



THIS DRAWING IS PROPERTY OF
GENERAL STEEL CASTINGS CORPORATION
AND IS NOT TO BE REPRODUCED OR
COPIED IN ANY MANNER WITHOUT
THE WRITTEN CONSENT OF THE
COMPANY.



PATT. NO. 53009-1
R. R. PATTON 627-AS-11

53009

GENERAL STEEL CASTINGS CORPORATION
EDDYSTONE, PENNSYLVANIA

UNION PACIFIC
CAST STEEL
COMBINATION PILOT AND BEAM
FOR
SIGNALING PURPOSES

EXCEPT AS OTHERWISE NOTED, ALL DIMENSIONS ARE TO BE DONE BY G.S.C.
MACHINE FINISHES ARE TO BE DONE BY G.S.C.
ALL DIMENSIONS ARE TO BE TO CENTER UNLESS OTHERWISE SPECIFIED.
ALLOW FOR MACHINE FINISH ON ALL SURFACES MARKED.