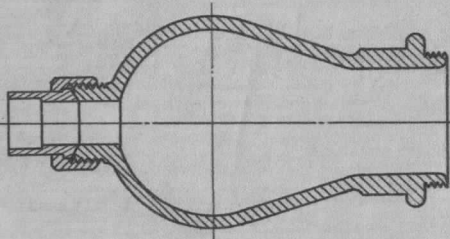
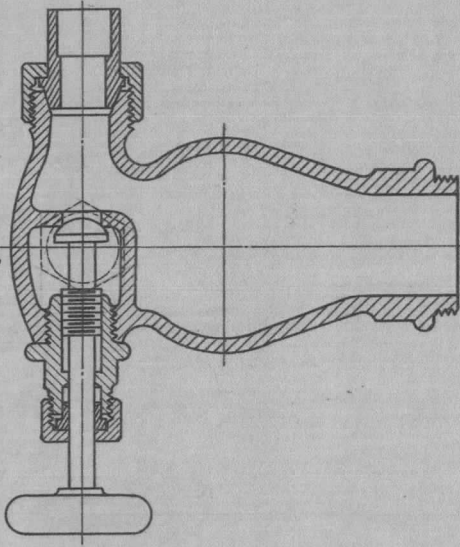


Fig 1



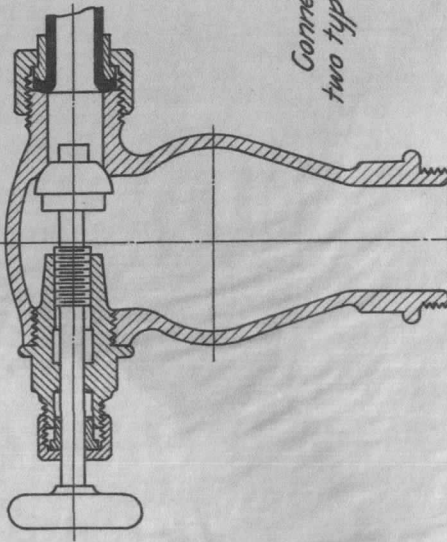
Type 166 Condensing Chamber
With $\frac{3}{4}$ " G.P. Brazing Connection.

Fig 2



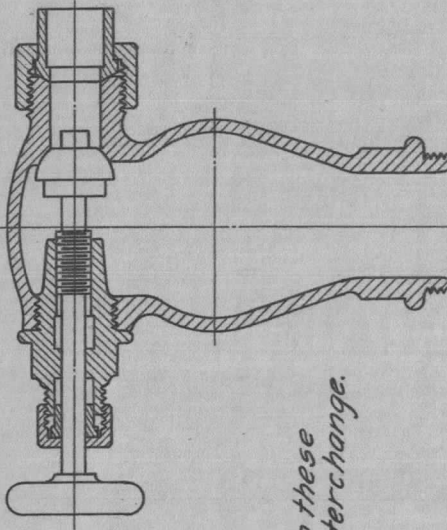
Type 166 Condensing Chamber
For Booster with 1" C.P. Brazing Connection.

Fig 3



Type 1918 Condensing Chamber
With 1" C.P. Mechanical Joint Connection

Fig 4



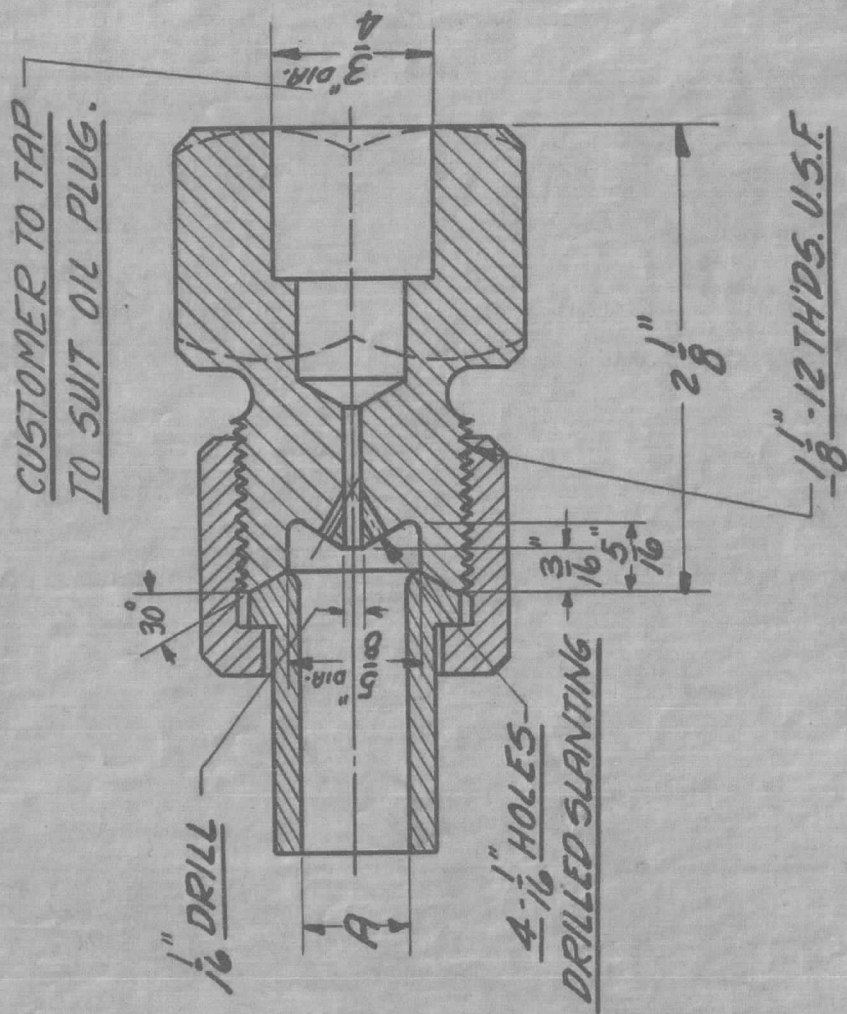
Type 1918 Condensing Chamber
With 1" C.P. Brazing Connection.

Connections on these
two types will interchange.

MI-AL-1

REV.	REMARKS	DATE
A	LINE 2 ADDED	1/12/32
B	LINE 3 ADDED	5/25/37

A	1699
1/2"	LINE-1
3/8"	LINE-2
5/8"	LINE-3

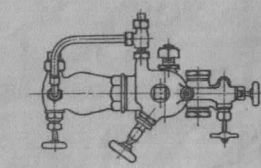


NATHAN MFG. CO. NEW YORK, N.Y.

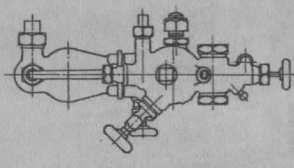
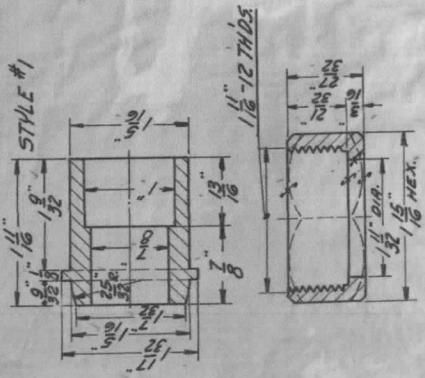
TERMINAL CHOKE PLUGS

1699 AB

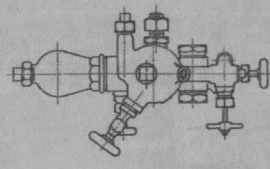
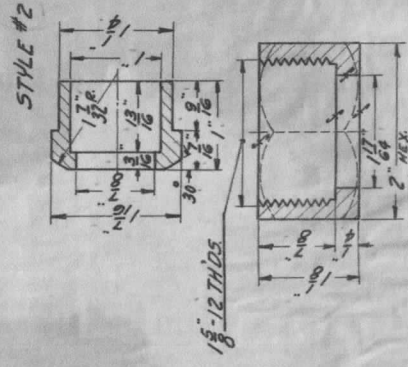
JULY 17, 1924



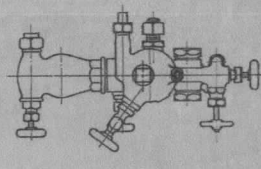
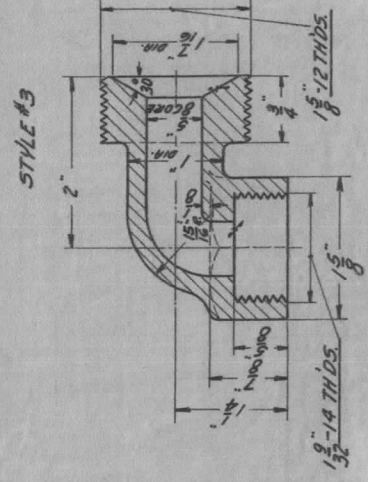
TYPE 166 BULLS EYE LUBRICATOR WITH BOOSTER PIPES
 TYPE 166 LUBRICATOR IN ALL SIZES WHEN EQUIPPED WITH BOOSTER PIPES TAKE 1" C.P. STEAM CONNECTION STYLE #1



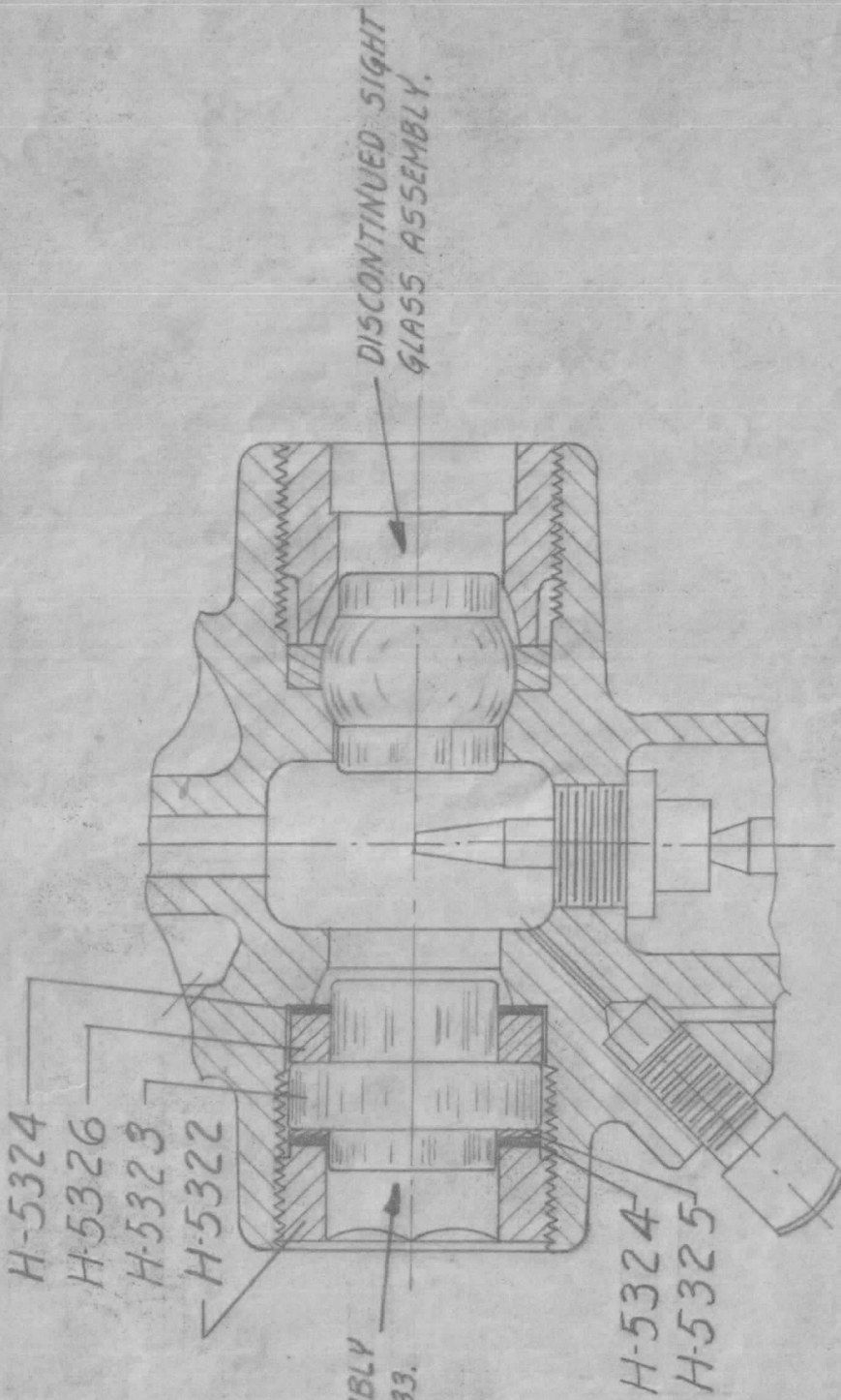
6 FEED TYPE 166 BULLS EYE LUBRICATOR
 REGULAR WITHOUT BOOSTER PIPES TAKES 1" C.P. STEAM CONNECTION STYLE #1



TYPE 166 BULLS EYE LUBRICATOR
 REGULAR WITHOUT BOOSTER PIPES MAY BE REARRANGED TO TAKE 1" C.P. CONNECTION STYLE #2 BY APPLYING ELBOW STYLE #3 TO TOP OF CONDENSING CHAMBER.



TYPE 1918 BULLS EYE LUBRICATOR
 ALL SIZES OF THE ABOVE TYPE LUBRICATOR TAKE 1" C.P. STEAM CONNECTION STYLE #2



SIGHT GLASS ASSEMBLY
USED AFTER OCT. 16, 1933.

DISCONTINUED SIGHT
GLASS ASSEMBLY.

NOTE :-

WHEN ORDERING NEW SIGHT GLASSES
THE FOLLOWING PARTS SHOULD BE INCLUDED.

- H-5322 GLASS FOLLOWER.
- H-5323 GLASS.
- H-5324 GLASS BRASS GASKET. (2 REQ'D)
- H-5325 GLASS FIBRE GASKET.
- H-5326 RUBBER GASKET.

NATHAN MFG. CO.,

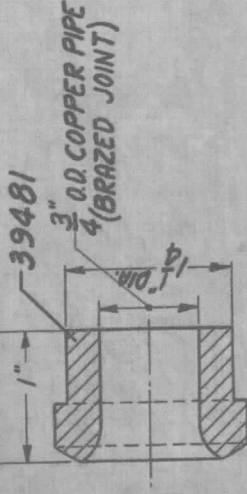
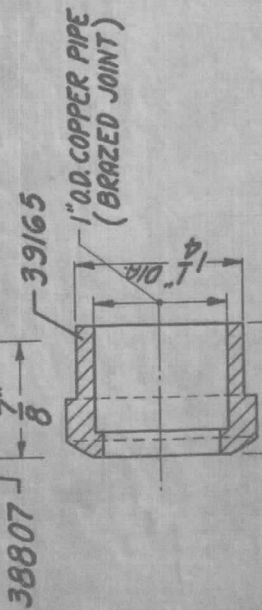
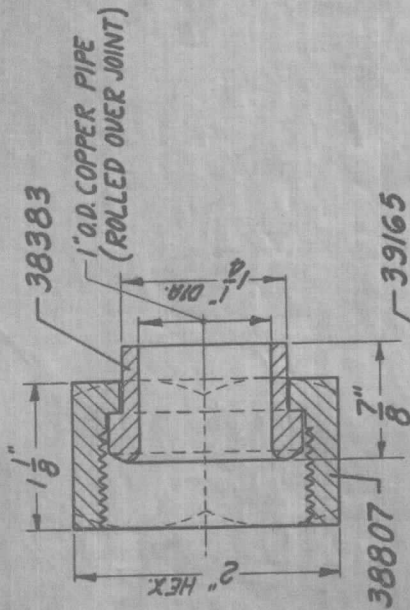
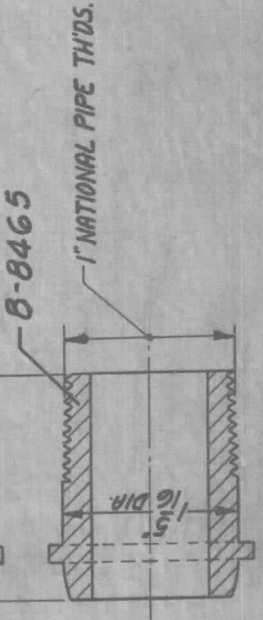
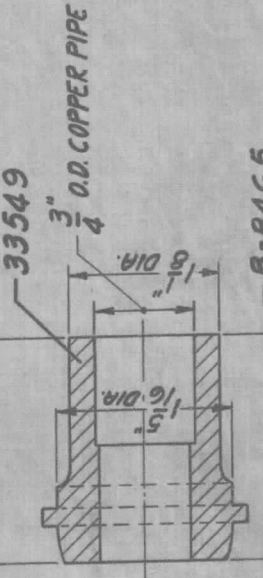
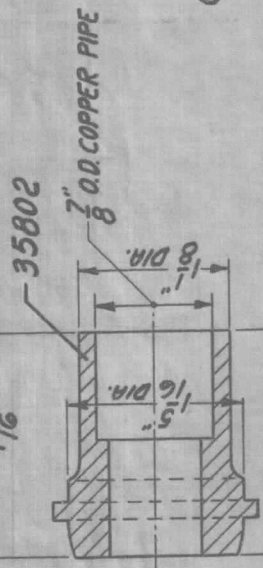
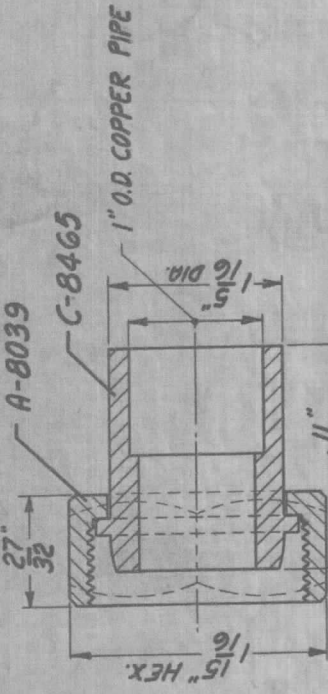
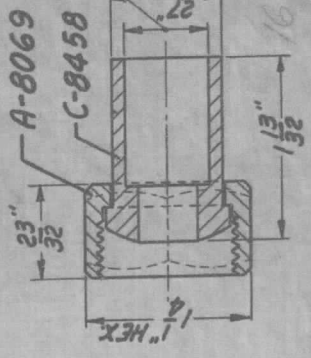
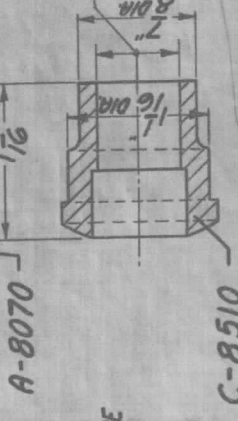
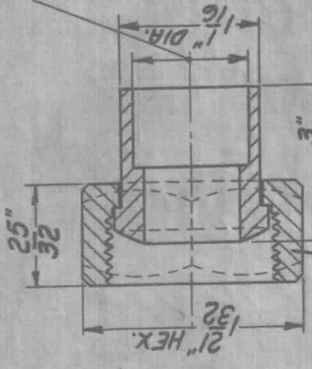
NEW YORK, N. Y.

№6 BULL'S-EYE LUBRICATOR
SHOWING CHANGE IN
SIGHT GLASS ASSEMBLY

DRG. N° 3356 OCT. 16, 1933.

SEE TABLE "A" FOR O.D. OF COPPER PIPE SIZES

TAILPIECE	"A"
C-8462	3/4"
C-8463	13/16"
C-8464	7/8"
C-8466	1 1/16"



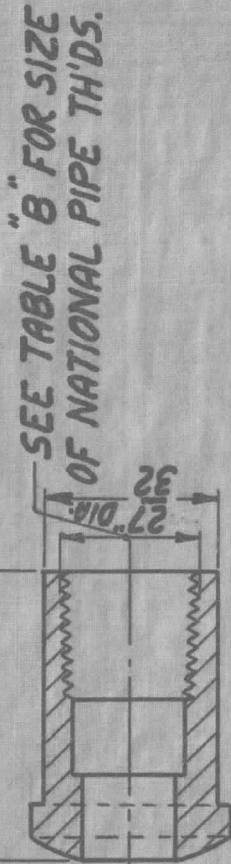
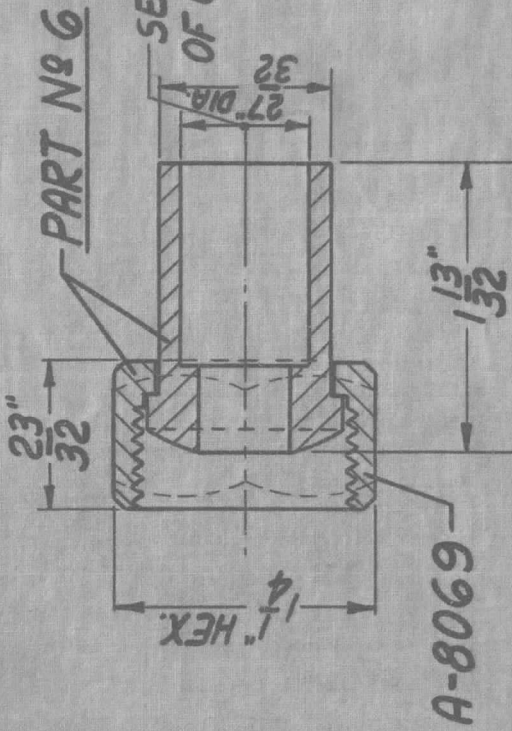
NATHAN M'F. & CO. NEW YORK, N. Y.
 COUPLING NUTS AND TAILPIECES
 FOR STEAM CONNECTION
 NATHAN TYPE 166 AND 1918
 BULLS EYE LUBRICATORS

4283
 JULY 28, 1941

SCALE-FULL SIZE

166 with
 Borden

1918



TAILPIECE	"A"	"B"
C-8456	1/2"	—
C-8457	9/16"	—
C-8458	5/8"	—
C-8459	11/16"	—
B-8544	—	1/4"
B-8551	—	3/8"

NATHAN M'F'G. CO. NEW YORK, N. Y.

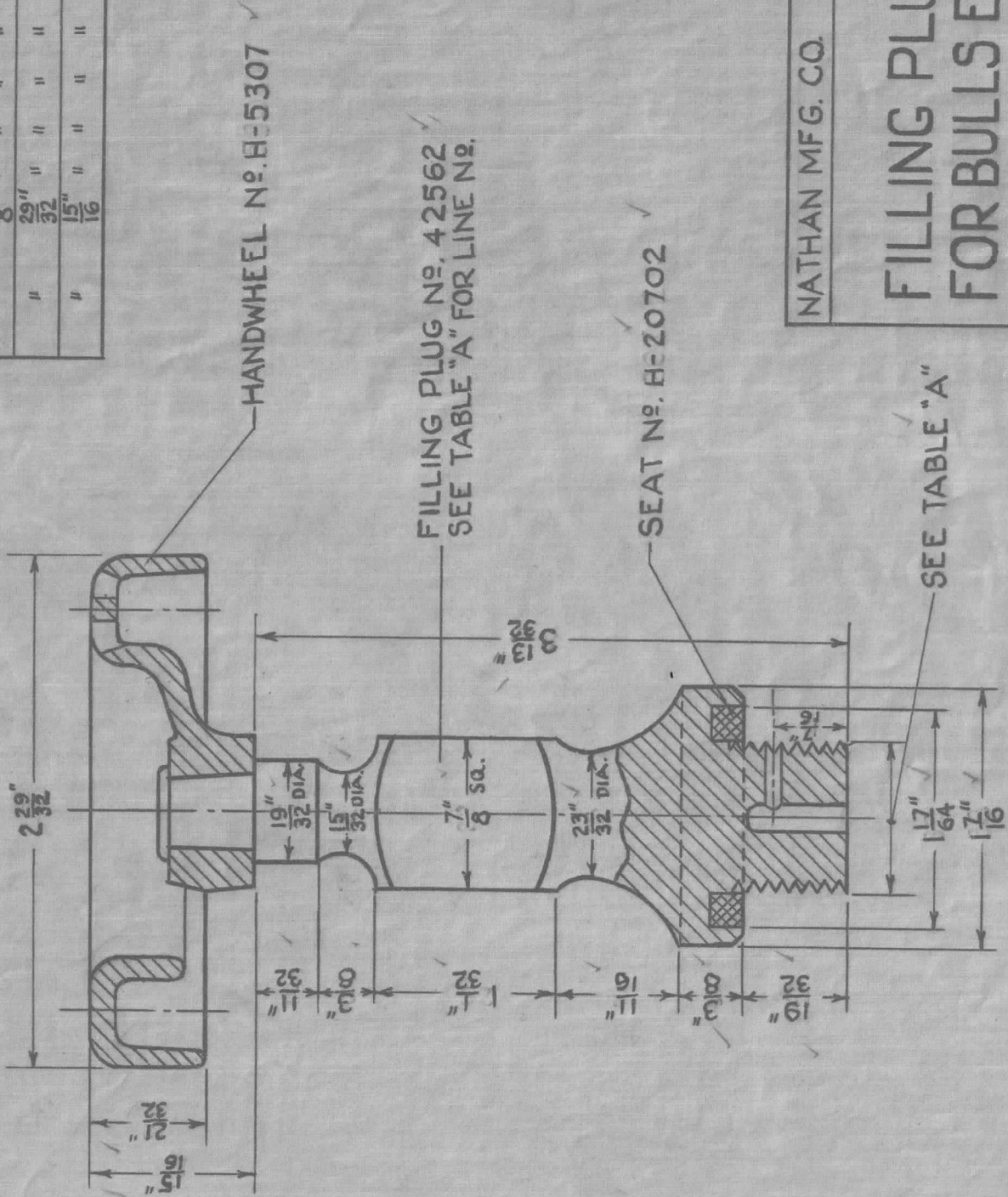
COUPLING NUTS AND TAILPIECES
 FOR DELIVERY CONNECTION
 NATHAN TYPE 166 AND 1918
 BULLS EYE LUBRICATORS

4284

JULY 29, 1941

TABLE "A"

LINE	NOMINAL	13" / 16	14 THDS	V'FORM	FIT TO S.P.R.Y. GAUGE
1	"	27" / 32	"	"	"
2	"	1" / 8	"	"	"
3	"	29" / 32	"	"	"
4	"	15" / 16	"	"	"
5	"	"	"	"	"



NATHAN MFG. CO. NEW YORK, N.Y.

FILLING PLUG COMPLETE FOR BULLS EYE LUBRS.

4715

JAN. 31, 1945

--	--	--	--	--	--	--	--	--	--

MI-11.9

COUPLING NUT PT. 16 A (A-8091)

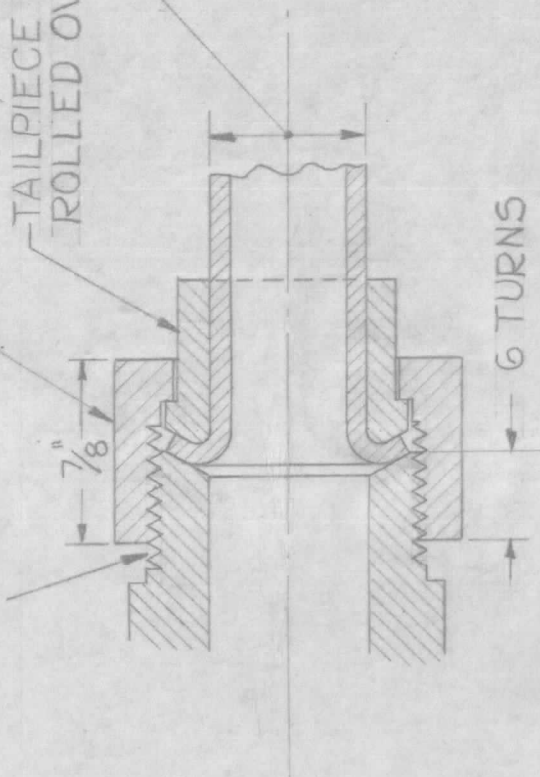
TAILPIECE PT. 16 B (C-8578)
ROLLED OVER JOINT

$\frac{3}{4}$ " O.D. COPPER PIPE

14 THDS.

$\frac{7}{8}$ "

6 TURNS



NATHAN M'FG. CO. NEW YORK, N.Y.

STEAM PIPE CONNECTION
FOR NO 9 BULL'S EYE LUBR.

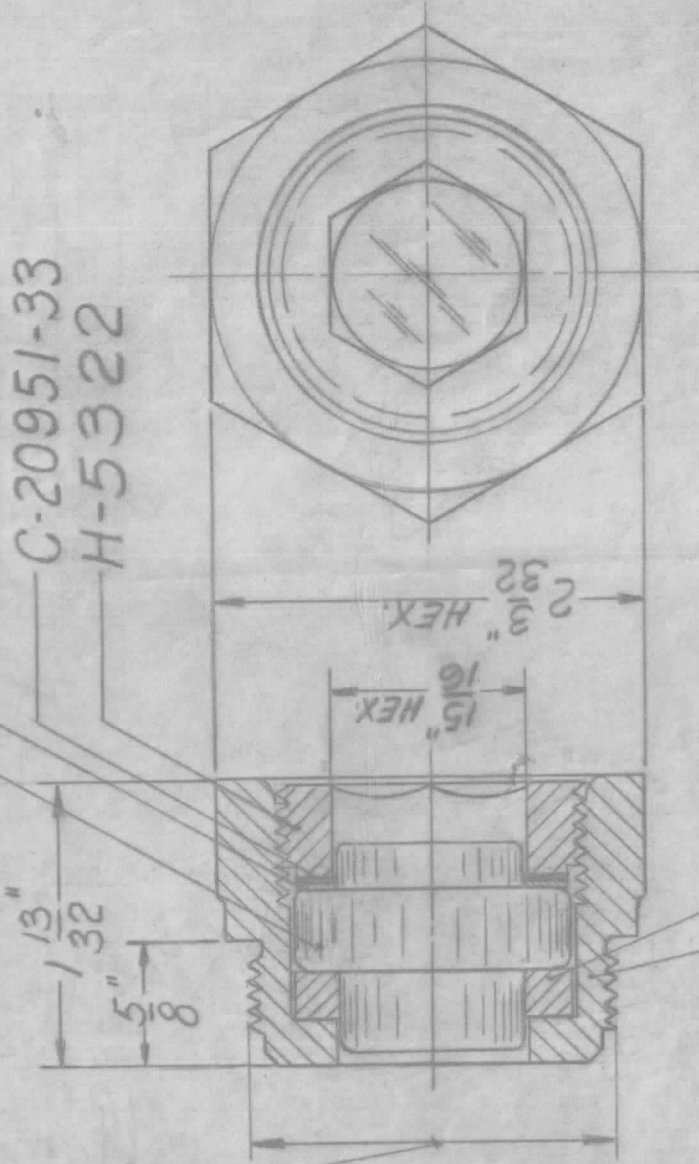
3913

SEPT. 14. 1938.

THIS DR'G. SUPERSEDES SK 5 10-38 A
SCALE - FULL SIZE

M-J-H-L

H-5323
 H-5325
 C-20951-33
 H-5322



1.791" - 14 TH'DS.
 "Y" FORM

J-14523 H-5326

NAMES AND NUMBERS OF PARTS
 FOR REFERENCE IN ORDERING.

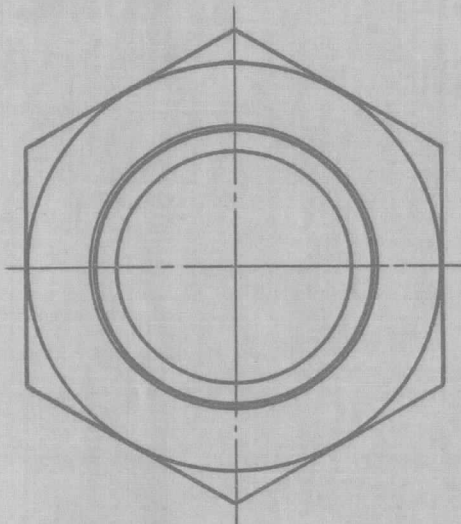
- H-5322 GLASS FOLLOWER
- H-5323 GLASS
- C-20951-33 GLASS BRASS WASHER
- H-5325 GLASS FIBRE WASHER
- H-5326 RUBBER GASKET
- J-14523 GLASS CASING

NATHAN M'FG. CO. NEW YORK, N.Y.
 SIGHT GLASS ASSEMBLY
 FOR
 NATHAN TYPE BULL'S EYE LUB.

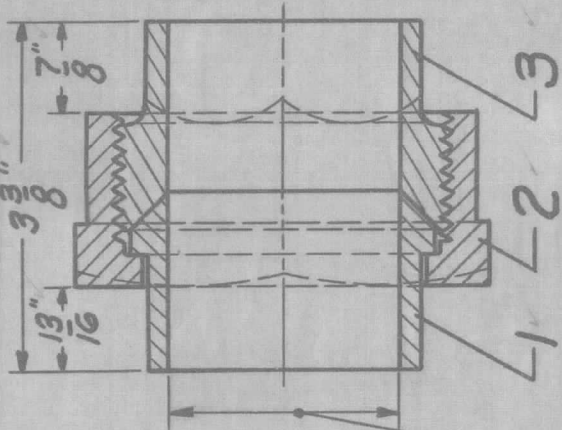
3933	A								
DEC. 20, 1933									

A-PT. C-20951-33 WAS H-5324, 7-6-51 SCALE - FULL SIZE

MI-HL-11

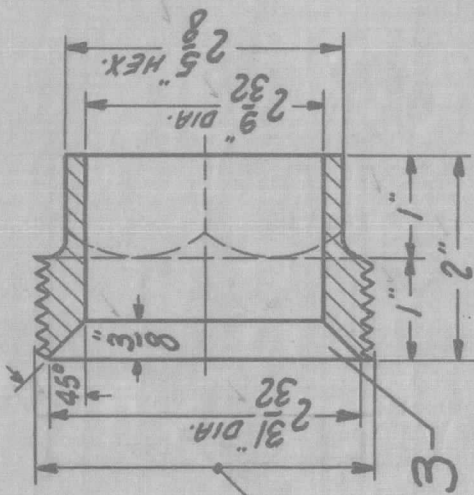
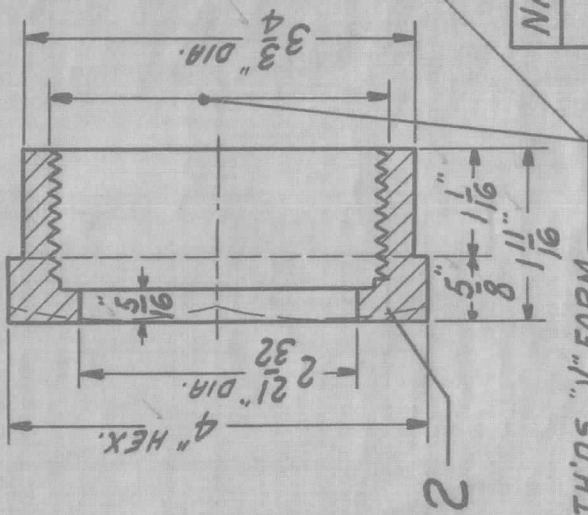
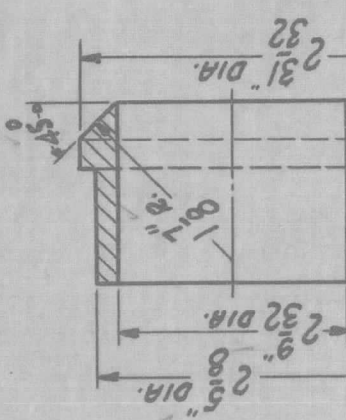


FOR 2 1/4" O.D. COPPER PIPE



NAMES AND NUMBERS OF PARTS FOR REFERENCE IN ORDERING.

1. TAILPIECE (42127)
2. COUPLING NUT (42128)
3. COUPLING SLEEVE (42129)



1/8 TH'DS. "V" FORM

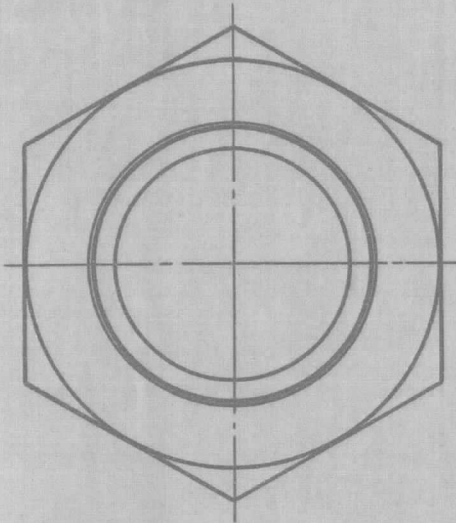
NEED TO FIND
OUT WHAT THIS
2 1/4" O.D.C.P. REG.
3966 WAS MADE ON.

NATHAN M'F'G. CO. NEW YORK, N.Y.

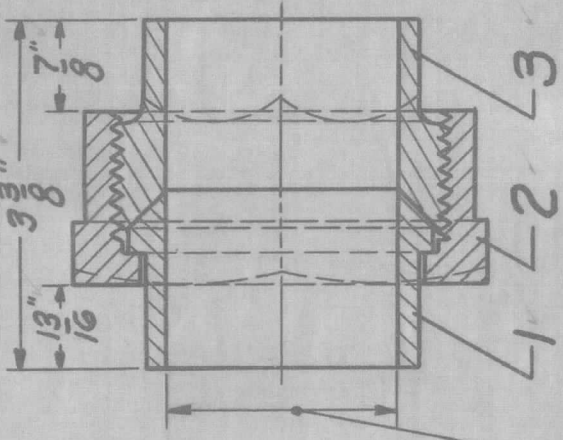
UNION COUPLING
FOR 2 1/4" O.D. COPPER PIPE

3966
APRIL 13, 1939.

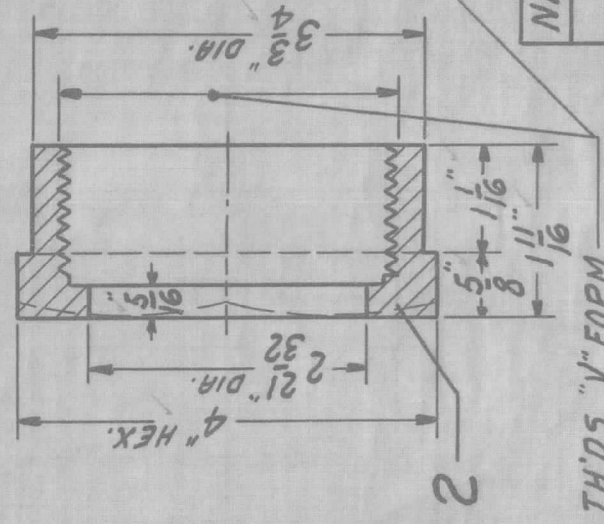
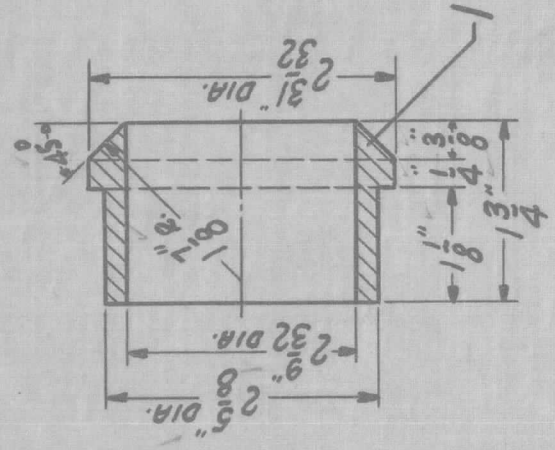
SCALE - HALF SIZE



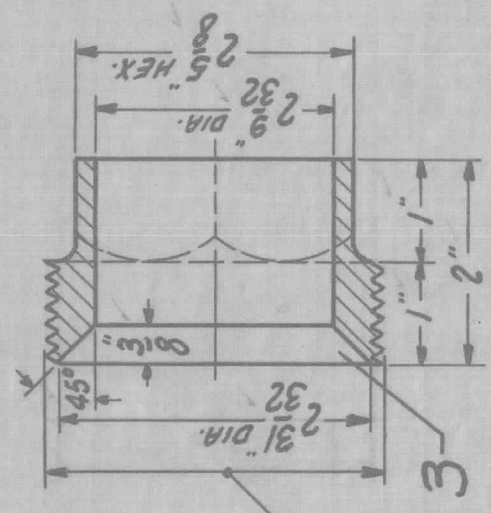
FOR 2 1/4" O.D. COPPER PIPE



- NAMES AND NUMBERS OF PARTS FOR REFERENCE IN ORDERING.
- 1. TAILPIECE (42127)
 - 2. COUPLING NUT (42128)
 - 3. COUPLING SLEEVE (42129)



3/4" - 8 TH'DS. "V" FORM



NATHAN M'F'G. CO. NEW YORK, N.Y.

UNION COUPLING
FOR 2 1/4" O.D. COPPER PIPE

3966												APRIL 13, 1939.					

SCALE - HALF SIZE

NATHAN MFG. CO. NEW YORK.
 TABLE OF INTERCHANGEABLE PARTS
 FOR BULLS EYE LUBRICATORS

DESIGNATION OF PART	BULLS EYE LUBRICATOR TYPE 166				BULLS EYE LUBRICATOR TYPE 166 WITH BOOSTER				BULLS EYE LUBRICATOR TYPE 1918				BULLS EYE LUBRICATOR TYPE 1912			BULLS EYE LUBRICATOR TYPE 1912 WITH BOOSTER			BULLS EYE LUBRICATOR TYPE 1911								
	PART No. CATALOGUE OR BULLETIN	3 FEED	4 FEED	5 FEED	6 FEED	PART No. CATALOGUE OR BULLETIN	3 FEED	4 FEED	5 FEED	6 FEED	PART No. CATALOGUE OR BULLETIN	3 FEED	4 FEED	5 FEED	6 FEED	PART No. CATALOGUE OR BULLETIN	3 FEED	4 FEED	5 FEED	PART No. CATALOGUE OR BULLETIN	3 FEED	4 FEED	5 FEED	PART No. CATALOGUE OR BULLETIN	3 FEED	5 FEED	
WHERE EVER THE SAME SYMBOL APPEARS BELOW PARTS ARE INTERCHANGEABLE																											
CONDENSER	1	A	A	B	C	1A	D	D	E	F	1B	G	G	H	J	101	K	K	M	101A	N	N	P	101	K		
FILLING PLUG	2	Q	Q	Q	R	2	Q	Q	Q	R	2	Q	Q	Q	R	102	S	S	S	102	S	S	S	102	S		
REDUCING PLUG	5	T	T	T	T	5	T	T	T	T	5B	U	U	U	U	105	T	T	T	105	T	T	T	105	T		
SIGHT FEED GLASS DELIVERY NUT & TAILPIECE	6	V	V	V	V	6	V	V	V	V	6B	W	W	W	W	106	V	V	V	106	V	V	V	106	V		
DELIVERY INTERMEDIATE CONN.											6A	AA	AA	AA	AA												
WATER VALVE	7	AB	AB	AB	AC	7	AB	AB	AB	AC	7	AB	AB	AB	AC	107	AC	AC	AC	107	AC	AC	AC	107	AC		
STUD NUT	8	AD	AD	AD	AD	8	AD	AD	AD	AD	8	AD	AD	AD	AD	108	AD	AD	AD	108	AD	AD	AD	108	AD		
SIGHT FEED GLASS	9	AE	AE	AE	AE	9	AE	AE	AE	AE	9	AE	AE	AE	AE	133	AE	AE	AE	133	AE	AE	AE	133	AE		
SIGHT FEED CASING	9	AF	AF	AF	AF	9	AF	AF	AF	AF	9	AF	AF	AF	AF	109A	AG	AG	AG	109A	AG	AG	AG	109A	AG		
FEED NOZZLE	9A	AG	AG	AG	AG	9A	AG	AG	AG	AG	9A	AG	AG	AG	AG	109A	AG	AG	AG	109A	AG	AG	AG	109A	AG		
BODY	11	AH	AJ	AK	AM	11	AH	AJ	AK	AM	11	AH	AJ	AK	AM	111	AN	AP	AQ	111	AN	AP	AQ	111	AN		
GAUGE GLASS	13	AE	AE	AE	AE	13	AE	AE	AE	AE	13	AE	AE	AE	AE	133	AE	AE	AE	133	AE	AE	AE	133	AE		
GAUGE GLASS CASING	13	AF	AF	AF	AF	13	AF	AF	AF	AF	13	AF	AF	AF	AF												
WASTE COCK	14	AS	AS	AS	AS	14	AS	AS	AS	AS	14	AS	AS	AS	AS	114	AT	AU	AU	114	AT	AU	AU	114	AT		
REGULATING VALVE	15	AV	AV	AV	AV	15	AV	AV	AV	AV	15	AV	AV	AV	AV	115	AV	AV	AV	115	AV	AV	AV	115	AV		
TOP CONNECTION	16A	BB	BB	BB	BB	16A	BB	BB	BB	BB	16B	BC	BC	BC	BC	116	BB	BB	BB	116	BB	BB	BB	116	BB		
EQUALIZING PIPE	17	BD	BD	BE	BE	17	BD	BD	BE	BE	17	BD	BD	BE	BE	117	BD	BD	BE	117	BD	BD	BE	117	BD		
OUTSIDE EQUALIZING PIPE	17B											BF															
OIL PIPE	18	BG	BG	BG	BG	18	BG	BG	BG	BG	18	BG	BG	BG	BG	118	BH	BH	BH	118	BH	BH	BH	118	BH		
WATER PIPE	19	BK	BK	BK	BK	19	BK	BK	BK	BK	19	BK	BK	BK	BK	119	BK	BK	BK	119	BK	BK	BK	119	BK		
SIGHT FEED DRAIN VALVE	20	BN	BN	BN	BN	20	BN	BN	BN	BN	20	BN	BN	BN	BN	120	BP	BP	BP	120	BP	BP	BP	120	BP		
BODY PLUG (SMALL)	22C	BQ	BQ	BQ	BQ	22A	BQ	BQ	BQ	BQ	22C	BQ	BQ	BQ	BQ	122	BQ	BQ	BQ	122	BQ	BQ	BQ	122	BQ		
BODY PLUG (LARGE)	22D	BS	BT	BT	BU	23	BS	BT	BT	BU	23	BS	BT	BT	BU	123	BS	BS	BS	123	BS	BS	BS	123	BS		
OIL PIPE PLUG	24	BV	BV	BV	BV	24	BV	BV	BV	BV	24	BV	BV	BV	BV	124	BV	BV	BV	124	BV	BV	BV	124	BV		
SUPPORT STUD	26	CC	CC	CC	CC	26	CC	CC	CC	CC	26	CC	CC	CC	CC	126	CD	CD	CD	126	CD	CD	CD	126	CD		
GAUGE GLASS BRACKET	28	CE	CE	CE	CE	28	CE	CE	CE	CE	28	CE	CE	CE	CE	128	CF	CF	CF	128	CF	CF	CF	128	CF		
CLEANING PLUG (GAUGE GLASS)	29	CG	CG	CG	CG	29	CG	CG	CG	CG	29	CG	CG	CG	CG	129	CG	CG	CG	129	CG	CG	CG	129	CG		
GAUGE GLASS CAP	30	CH	CH	CH	CH	30	CH	CH	CH	CH	30	CH	CH	CH	CH	130	CH	CH	CH	130	CH	CH	CH	130	CH		
AUXILIARY STEAM VALVE SPINDLE											38	CJ	CJ	CJ	CJ												
AUXILIARY STEAM VALVE BONNET NUT											39	CK	CK	CK	CK												
AUXILIARY STEAM PIPE											40	CM	CP	CQ	CR												
ELBOW CONNECTION FOR AIR SUPPLY PIPE											41	CS	CS	CT	CU												
CONNECTING NIPPLE " " "											42	CV	CV	CV	CV												
FRIGHTING NUT " " " "											43	CW	CW	CW	CW												
T CONNECTION " " " "											44	DD	DD	DD	DD												
COUPLING NUT & TAILPIECE	47											DE															
BONNET & NUT	49											DF															
PLUG FOR FILLING HOLE	51	DG	DG	DG	DH	51	DG	DG	DG	DH	51	DG	DG	DG	DH	151	DG	DG	DG	151	DG	DG	DG	151	DG		
OIL CUT-OUT VALVE SPINDLE	56	DJ	DJ	DJ	DJ	56	DJ	DJ	DJ	DJ	56	DJ	DJ	DJ	DJ	156	DJ	DJ	DJ	156	DJ	DJ	DJ	156	DJ		
OIL CUT-OUT VALVE BONNET & NUT	57	DM	DM	DM	DM	57	DM	DM	DM	DM	57	DM	DM	DM	DM	157	DM	DM	DM	157	DM	DM	DM	157	DM		
OIL CUT-OUT VALVE HANDLE	58	DP	DP	DP	DP	58	DP	DP	DP	DP	58	DP	DP	DP	DP	158	DP	DP	DP	158	DP	DP	DP	158	DP		
OIL CUT-OUT VALVE HANDLE NUT	59	DR	DR	DR	DR	59	DR	DR	DR	DR	59	DR	DR	DR	DR	159	DR	DR	DR	159	DR	DR	DR	159	DR		
REMOVABLE SCRT FOR FILLING PLUG	75	DT	DT	DT	DU	75	DT	DT	DT	DU	75	DT	DT	DT	DU	175	DT	DT	DT	175	DT	DT	DT	175	DT		
WATER TUBE PLUG	78	DV	DV	DV	DW	78	DV	DV	DV	DW	78	DV	DV	DV	DW	178	DV	DV	DV	178	DV	DV	DV	178	DV		
CAP FOR PLUMBING OIL CUT-OUT VALVE	79	EE	EE	EE	EE	79	EE	EE	EE	EE	79	EE	EE	EE	EE	179	EE	EE	EE	179	EE	EE	EE	179	EE		
SIGHT FEED GLASS NUT											134	EF	EF	EF	EF												
STEAM VALVE											125	EG	EG	EG	EG												
GAUGE GLASS NUT											150	EH	EH	EH	EH												
CAP FOR HAND OILER END											152	EJ	EJ	EJ	EJ												
OIL TUBE FOR AIR OILER											153	EK															
WATER VALVE BONNET	7A	EL	EL	EL	EM	7A	EL	EL	EL	EM	7A	EL	EL	EL	EM	107A	EN	EN	EN	107A	EN	EN	EN	107A	EN		
" " NUT	7B	EN	EN	EN	EP	7B	EN	EN	EN	EP	7B	EN	EN	EN	EP	107B	EP	EP	EP	107B	EP	EP	EP	107B	EP		
" " SPINDLE	7C	EQ	EQ	EQ	ER	7C	EQ	EQ	EQ	ER	7C	EQ	EQ	EQ	ER	107C	ER	ER	ER	107C	ER	ER	ER	107C	ER		
" " GLAND & RING	7D	ES	ES	ES	ET	7D	ES	ES	ES	ET	7D	ES	ES	ES	ET	107D	ET	ET	ET	107D	ET	ET	ET	107D	ET		
" " HANDWHEEL	7E	EU	EU	EU	EU	7E	EU	EU	EU	EU	7E	EU	EU	EU	EU	107E	EU	EU	EU	107E	EU	EU	EU	107E	EU		
REGULATING VALVE BONNET	15A	EV	EV	EV	EM	15A	EV	EV	EV	EM	15A	EV	EV	EV	EM	115A	EM	EM	EM	115A	EM	EM	EM	115A	EM		
" " NUT	15B	EN	EN	EN	EP	15B	EN	EN	EN	EP	15B	EN	EN	EN	EP	115B	EP	EP	EP	115B	EP	EP	EP	115B	EP		
" " SPINDLE	15C	EW	EW	EW	EX	15C	EW	EW	EW	EX	15C	EW	EW	EW	EX	115C	EX	EX	EX	115C	EX	EX	EX	115C	EX		
" " GLAND & RING	15D	ES	ES	ES	ET	15D	ES	ES	ES	ET	15D	ES	ES	ES	ET	115D	ET	ET	ET	115D	ET	ET	ET	115D	ET		
" " HANDWHEEL	15E	EU	EU	EU	EU	15E	EU	EU	EU	EU	15E	EU	EU	EU	EU	115E	EU	EU	EU	115E	EU	EU	EU	115E	EU		

5E-D PART 7^A TO 7^E AND 15^A TO 15^E ADDED 5-9-32 5-REVISED SYMBOL AT WRS PUT ON PART 15-GREED SIZES AND PART 15-BLL 5-25-3-30-36

MI-HL-43

NATHAN M'F'G. CO. NEW YORK.
 TABLE OF INTERCHANGEABLE PARTS
 FOR BULL'S EYE LUBRICATORS
 USED ON P.R.R. LOCOMOTIVES.

DESIGNATION OF PART	BULL'S EYE LUBRICATOR TYPE P.R.R.					BULL'S EYE LUBRICATOR TYPE 1918			BULL'S EYE LUBRICATOR TYPE P				
	PART NO CATALOGUE OR BULLETIN	3 FEED		5 FEED		PART NO CATALOGUE OR BULLETIN	6 FEED		PART NO CATALOGUE OR BULLETIN	5 FEED		7 FEED	
		PIECES REQ'D.	SYMBOL	PIECES REQ'D.	SYMBOL		PIECES REQ'D.	SYMBOL		PIECES REQ'D.	SYMBOL	PIECES REQ'D.	SYMBOL
	WHERE EVER THE SAME SYMBOL APPEARS BELOW PARTS ARE INTERCHANGEABLE												
CONDENSER	1	1	A	1	B	1 ^B	1	C	1 ^X	1	D	1	E
FILLING PLUG	2	1	F	2	F	2	1	G	2	1	G	1	G
HAND OILER	3	2	H	4	H								
REDUCING PLUG (AIR BRAKE)	5 ^A	1	J										
REDUCING PLUG	5 ^B	2	K	5	K	5 ^B	2	L	5 ^B	1	L	1	L
DELIVERY NUT & TAIL PIECE	6	2	M	5	N	6	6	O	6	5	N	7	N
DELIVERY NUT & TAIL PIECE (AIR BRAKE)	6	1	P										
WATER VALVE	7	1	Q	1	R	7	1	S	7 ^A	1	T	1	T
STUD NUT	8	1	U	2	V	8	2	V	8	2	V	2	V
SIGHT FEED GLASS & CASING	9	6	W	10	W	9	12	W	9	10	W	14	W
FEED NOZZLE	9 ^A	3	X	5	Y	9 ^A	6	Y	9 ^B	5	Z	7	Z
BODY	11	1	AA	1	AB	11	1	AC	11 ^X	1	AD	1	AE
GAUGE GLASS & CASING						13	2	W	13	2	W	2	W
WASTE COCK	14	1	AF	1	AF	14	1	AG	14 ^A	1	AF	1	AF
REGULATING VALVE	15	3	Q	5	AM	15	6	T	15	5	T	7	T
TOP CONNECTION	16	1	AJ	1	AJ	16 ^C	1	AK	16	1	AJ	1	AL
EQUALIZING PIPE	17	3	AM	5	AN	17	3	AN	17	1	AN	1	AN
OUTSIDE EQUALIZING PIPE						17 ^B	2	AO	17 ^C	2	AP	2	AP
									17 ^D	2	AQ		
									17 ^E			4	AR
OIL PIPE	18	1	AS	1	AS	18	1	AT	18 ^A	1	AU	1	AU
WATER PIPE	19	1	AV	1	AV	19	1	AW	19 ^A	1	AX	1	AX
SIGHT FEED DRAIN KEY	20	3	AV	5	AV	20	6	AZ	20 ^A	5	AY	7	AY
RESERVE GLASS & CASING	21	1	W	1	W								
CLEANING PLUG	22	2	BB										
PIPE PLUG - 1/4" SIZE	22 ^C			3	BC	22 ^C	6	BC	22 ^C	2	BC	4	BC
PIPE PLUG - 3/8" SIZE	22 ^D			2	BD	22 ^D	1	BD	22 ^D	1	BD	1	BD
PIPE PLUG - 1/2" SIZE	22 ^E	1	BE						22 ^E	1	BF	2	BF
PIPE PLUG - 3/4" SIZE									22 ^F	4	BG	4	BG
OIL PIPE PLUG	24	1	BH	1	BH	24	1	BI	24	1	BH	1	BH
STEAM VALVE	25	1	BJ	1	BJ	25	1	BJ	25	1	BJ	1	BJ
SUPPORT STUD	26	1	BK	2	BL	26	2	BL	26	2	BL	2	BL
DELIVERY STUD	27	2	BM										
GAUGE GLASS BRACKET						28	1	BN	28	1	BN	1	BN
CLEANING PLUG						29	1	BO	29	1	BO	1	BO
GAUGE GLASS CAP	30	2	BP	2	BP	30	1	BP	30	1	BP	1	BP
OUTSIDE EQUALIZING TUBE CONN.									46 ^A			2	BQ
COUPLING NUT & TAILPIECE						47	2	BR	47 ^A			2	BS
COUPLING NUT & TAILPIECE									47 ^B	2	BT		
BONNET & PACKING NUT						49	2	BU	49 ^A	2	BV	4	BV
PLUG FOR FILLING HOLE						51	1	BW	51	1	BW	1	BW
OIL CUT-OUT VALVE SPINDLE						56	1	BX	56	1	BX	1	BX
OIL CUT-OUT VALVE BONNET & NUT						57	1	BY	57	1	BZ	1	BZ
OIL CUT-OUT VALVE HANDLE						58	1	CC	58	1	CC	1	CC
OIL CUT-OUT VALVE HANDLE NUT						59	1	CD	59	1	CD	1	CD
REMOVABLE SEAT FOR FILLING PLUG	75			2	CE	75	2	CF	75	2	CF	2	CF
CAP FOR OIL CUT-OUT VALVE	79			1	CG	79	1	CG	79	1	CG	1	CG
REMOVABLE SEAT FOR WATER VALVE									80	1	CH	1	CH
COMPOSITION SEAT FOR FILLING PLUG	81	1	CJ	2	CJ	81	2	CK	81	2	CK	2	CK
ADAPTOR FOR DELIVERY END									83	5	CL	7	CL

MT-14

NATHAN MFG. CO. NEW YORK
 TABLE OF INTERCHANGEABLE PARTS
 FOR BULL'S EYE LUBRICATORS
 SPECIAL FOR P.P.E.

BULL'S EYE LUBRICATOR
 TYPE P.P.E.

BULL'S EYE LUBRICATOR
 TYPE "P"

DESIGNATION
 OF
 PART

WHERE EVER THE SAME SYMBOL APPEARS BELOW PARTS ARE INTERCHANGEABLE

PART NO CATALOGUE OR BULLETIN	*6-2 FEED		*8-2 FEED		*9-3 FEED		*10-3 FEED		*11-3 FEED		*21-4 FEED		*31-5 FEED		*41-6 FEED		*51-7 FEED		*61-8 FEED		*71-9 FEED		*81-10 FEED		*91-11 FEED		*101-12 FEED		*111-13 FEED		*121-14 FEED		*131-15 FEED		*141-16 FEED		*151-17 FEED																																																																																																																																																																																																																																																																																																																																																																																																																																																																																																																																																																																																																																																																																																																																																																																																																																																																																																																																																																																																																																																																																																																																																																																																																																																																																																																																																																																																																																																																																																																																																																																																																																							
	NO. OF PARTS	SYMBOL	NO. OF PARTS	SYMBOL	NO. OF PARTS	SYMBOL	NO. OF PARTS	SYMBOL	NO. OF PARTS	SYMBOL	NO. OF PARTS	SYMBOL	NO. OF PARTS	SYMBOL	NO. OF PARTS	SYMBOL	NO. OF PARTS	SYMBOL	NO. OF PARTS	SYMBOL	NO. OF PARTS	SYMBOL	NO. OF PARTS	SYMBOL	NO. OF PARTS	SYMBOL	NO. OF PARTS	SYMBOL	NO. OF PARTS	SYMBOL	NO. OF PARTS	SYMBOL	NO. OF PARTS	SYMBOL	NO. OF PARTS	SYMBOL	NO. OF PARTS	SYMBOL	NO. OF PARTS	SYMBOL																																																																																																																																																																																																																																																																																																																																																																																																																																																																																																																																																																																																																																																																																																																																																																																																																																																																																																																																																																																																																																																																																																																																																																																																																																																																																																																																																																																																																																																																																																																																																																																																																																				
CONDENSER	1	A	1	B	1	C	1	D	1	E	1	F	1	G	1	H	1	I	1	J	1	K	1	L	1	M	1	N	1	O	1	P	1	Q	1	R	1	S	1	T	1	U	1	V	1	W	1	X	1	Y	1	Z	1	AA	1	AB	1	AC	1	AD	1	AE	1	AF	1	AG	1	AH	1	AI	1	AJ	1	AK	1	AL	1	AM	1	AN	1	AO	1	AP	1	AQ	1	AR	1	AS	1	AT	1	AU	1	AV	1	AW	1	AX	1	AY	1	AZ	1	BA	1	BB	1	BC	1	BD	1	BE	1	BF	1	BG	1	BH	1	BI	1	BJ	1	BK	1	BL	1	BM	1	BN	1	BO	1	BP	1	BQ	1	BR	1	BS	1	BT	1	BU	1	BV	1	BW	1	BX	1	BY	1	BZ	1	CA	1	CB	1	CC	1	CD	1	CE	1	CF	1	CG	1	CH	1	CI	1	CJ	1	CK	1	CL	1	CM	1	CN	1	CO	1	CP	1	CQ	1	CR	1	CS	1	CT	1	CU	1	CV	1	CW	1	CX	1	CY	1	CZ	1	DA	1	DB	1	DC	1	DD	1	DE	1	DF	1	DG	1	DH	1	DI	1	DJ	1	DK	1	DL	1	DM	1	DN	1	DO	1	DP	1	DP	1	DQ	1	DR	1	DS	1	DT	1	DU	1	DV	1	DW	1	DX	1	DY	1	DZ	1	EA	1	EB	1	EC	1	ED	1	EE	1	EF	1	EG	1	EH	1	EI	1	EJ	1	EK	1	EL	1	EM	1	EN	1	EO	1	EP	1	EQ	1	ER	1	ES	1	ET	1	EU	1	EV	1	EW	1	EX	1	EY	1	EZ	1	FA	1	FB	1	FC	1	FD	1	FE	1	FF	1	FG	1	FH	1	FI	1	FJ	1	FK	1	FL	1	FM	1	FN	1	FO	1	FP	1	FP	1	FQ	1	FR	1	FS	1	FT	1	FU	1	FV	1	FW	1	FX	1	FY	1	FZ	1	GA	1	GB	1	GC	1	GD	1	GE	1	GF	1	GG	1	GH	1	GI	1	GJ	1	GK	1	GL	1	GM	1	GN	1	GO	1	GP	1	GQ	1	GR	1	GS	1	GT	1	GU	1	GV	1	GW	1	GX	1	GY	1	GA	1	GB	1	GC	1	GD	1	GE	1	GF	1	GG	1	GH	1	GI	1	GJ	1	GK	1	GL	1	GM	1	GN	1	GO	1	GP	1	GQ	1	GR	1	GS	1	GT	1	GU	1	GV	1	GW	1	GX	1	GY	1	GA	1	GB	1	GC	1	GD	1	GE	1	GF	1	GG	1	GH	1	GI	1	GJ	1	GK	1	GL	1	GM	1	GN	1	GO	1	GP	1	GQ	1	GR	1	GS	1	GT	1	GU	1	GV	1	GW	1	GX	1	GY	1	GA	1	GB	1	GC	1	GD	1	GE	1	GF	1	GG	1	GH	1	GI	1	GJ	1	GK	1	GL	1	GM	1	GN	1	GO	1	GP	1	GQ	1	GR	1	GS	1	GT	1	GU	1	GV	1	GW	1	GX	1	GY	1	GA	1	GB	1	GC	1	GD	1	GE	1	GF	1	GG	1	GH	1	GI	1	GJ	1	GK	1	GL	1	GM	1	GN	1	GO	1	GP	1	GQ	1	GR	1	GS	1	GT	1	GU	1	GV	1	GW	1	GX	1	GY	1	GA	1	GB	1	GC	1	GD	1	GE	1	GF	1	GG	1	GH	1	GI	1	GJ	1	GK	1	GL	1	GM	1	GN	1	GO	1	GP	1	GQ	1	GR	1	GS	1	GT	1	GU	1	GV	1	GW	1	GX	1	GY	1	GA	1	GB	1	GC	1	GD	1	GE	1	GF	1	GG	1	GH	1	GI	1	GJ	1	GK	1	GL	1	GM	1	GN	1	GO	1	GP	1	GQ	1	GR	1	GS	1	GT	1	GU	1	GV	1	GW	1	GX	1	GY	1	GA	1	GB	1	GC	1	GD	1	GE	1	GF	1	GG	1	GH	1	GI	1	GJ	1	GK	1	GL	1	GM	1	GN	1	GO	1	GP	1	GQ	1	GR	1	GS	1	GT	1	GU	1	GV	1	GW	1	GX	1	GY	1	GA	1	GB	1	GC	1	GD	1	GE	1	GF	1	GG	1	GH	1	GI	1	GJ	1	GK	1	GL	1	GM	1	GN	1	GO	1	GP	1	GQ	1	GR	1	GS	1	GT	1	GU	1	GV	1	GW	1	GX	1	GY	1	GA	1	GB	1	GC	1	GD	1	GE	1	GF	1	GG	1	GH	1	GI	1	GJ	1	GK	1	GL	1	GM	1	GN	1	GO	1	GP	1	GQ	1	GR	1	GS	1	GT	1	GU	1	GV	1	GW	1	GX	1	GY	1	GA	1	GB	1	GC	1	GD	1	GE	1	GF	1	GG	1	GH	1	GI	1	GJ	1	GK	1	GL	1	GM	1	GN	1	GO	1	GP	1	GQ	1	GR	1	GS	1	GT	1	GU	1	GV	1	GW	1	GX	1	GY	1	GA	1	GB	1	GC	1	GD	1	GE	1	GF	1	GG	1	GH	1	GI	1	GJ	1	GK	1	GL	1	GM	1	GN	1	GO	1	GP	1	GQ	1	GR	1	GS	1	GT	1	GU	1	GV	1	GW	1	GX	1	GY	1	GA	1	GB	1	GC	1	GD	1	GE	1	GF	1	GG	1	GH	1	GI	1	GJ	1	GK	1	GL	1	GM	1	GN	1	GO	1	GP	1	GQ	1	GR	1	GS	1	GT	1	GU	1	GV	1	GW	1	GX	1	GY	1	GA	1	GB	1	GC	1	GD	1	GE	1	GF	1	GG	1	GH	1	GI	1	GJ	1	GK	1	GL	1	GM	1	GN	1	GO	1	GP	1	GQ	1	GR	1	GS	1	GT	1	GU	1	GV	1	GW	1	GX	1	GY	1	GA	1	GB	1	GC	1	GD	1	GE	1	GF	1	GG	1	GH	1	GI	1	GJ	1	GK	1	GL	1	GM	1	GN	1	GO	1	GP	1	GQ	1	GR	1	GS	1	GT	1	GU	1	GV	1	GW	1	GX	1	GY	1	GA	1	GB	1	GC	1	GD	1	GE	1	GF	1	GG	1	GH	1	GI	1	GJ	1	GK	1	GL	1	GM	1	GN	1	GO	1	GP	1	GQ	1	GR	1	GS	1	GT	1	GU	1	GV	1	GW	1	GX	1	GY	1	GA	1	GB	1	GC	1	GD	1	GE	1	GF	1	GG	1	GH	1	GI	1	GJ	1	GK	1	GL	1	GM	1	GN	1	GO	1	GP	1	GQ	1	GR	1	GS	1	GT	1	GU	1	GV	1	GW	1	GX	1	GY	1	GA	1	GB	1	GC	1	GD	1	GE	1	GF	1	GG	1	GH	1	GI	1	GJ	1	GK	1	GL	1	GM	1	GN	1	GO	1	GP	1	GQ	1	GR	1	GS	1	GT	1	GU	1	GV	1	GW	1	GX	1	GY	1	GA	1	GB	1	GC	1	GD	1	GE	1	GF	1	GG	1	GH	1	GI	1	GJ	1	GK	1	GL	1	GM	1	GN	1	GO	1	GP	1	GQ	1	GR	1	GS	1	GT	1	GU	1	GV	1	GW	1	GX	1	GY	1	GA	1	GB	1	GC	1	GD	1	GE	1	GF	1	GG	1	GH	1	GI	1	GJ	1	GK	1	GL	1	GM	1	GN	1	GO	1	GP	1	GQ	1	GR	1	GS	1	GT	1	GU	1	GV	1	GW	1	GX	1	GY	1	GA	1	GB	1	GC	1	GD	1	GE	1	GF	1	GG	1	GH	1	GI	1	GJ	1	GK	1	GL	1	GM	1	GN	1	GO	1	GP	1	GQ	1	GR	1	GS	1	GT	1	GU	1	GV	1	GW	1	GX	1	GY	1	GA	1	GB	1	GC	1	GD	1	GE	1	GF	1	GG	1	GH	1	GI	1	GJ	1	GK	1	GL	1	GM	1	GN	1	GO	1	GP	1	GQ	1	GR	1	GS	1	GT	1	GU	1	GV	1	GW	1	GX	1	GY	1	GA	1	GB	1	GC	1	GD	1	GE	1	GF	1	GG	1	GH	1	GI	1	GJ	1	GK	1	GL	1	GM	1	GN	1	GO	1	GP	1	GQ	1	GR	1	GS	1	GT	1	GU	1	GV	1	GW	1	GX	1	GY	1	GA	1	GB	1	GC	1	GD	1	GE	1	GF	1	GG	1	GH	1	GI	1	GJ	1	GK	1	GL	1	GM	1	GN	1	GO	1	GP	1	GQ	1	GR	1	GS	1	GT	1	GU	1	GV	1	GW	1	GX	1	GY	1	GA	1	GB	1	GC	1	GD	1	GE	1	GF	1	GG	1	GH	1	GI	1	GJ	1	GK	1	GL	1	GM	1	GN	1	GO	1	GP	1	GQ	1	GR	1	GS	1	GT	1	GU	1	GV